

## Thermal transfer overprinting

### Built robust

Robust one-box solution that can be easily installed on your line or integrated by OEMs. It is the ideal coder for low to medium speed production lines printing on flexible film.

#### Compact one-box solution

Extremely compact in size (20 cm x 17 cm x 18 cm), it can easily be integrated into your production line and integrated by OEMs.

#### Increased uptime and reduced expenses over time

No need for plant air to install. In addition to reducing costs, print quality will remain constant through the years.

#### Automatic set-up; no human intervention required

Ribbons and printhead are automatically recognized and adjusted to code minutes after you start it.

#### Dead-dot detection system to eliminate faulty codes

Constant quality codes thanks to unique printhead monitoring.

### Built for you

Modular all the way! Pick, choose and buy exactly what you need to code your products

#### Choose the right ribbon type and get up to 15%\* more codes per roll

Make the most of your SmartDate coder with three cutting edge ribbon solutions: SmartDate Xceed, SmartDate Xtra, or SmartDate Xpert to cover all of your flexible packaging coding needs, from basic to complex.

#### Select the right accessories according to your need and budget

Choose between one user interface for several coders or one for each—with or without the power supply. All accessories have been designed with optimization in mind.

### Built by Markem-Imaje

Benefit from the world's leading thermal transfer supplier's decades of expertise

#### Unmatched reliability

Simple, robust design, proven in packaging facilities worldwide, delivers consistent results you can rely on.

#### Markem-Imaje quality service you can trust

Gain direct access to one single point of contact for expert support on both your coder and ribbon.



Compact in size for easy integration. SmartDate X30 is the smallest of SmartDate coders.



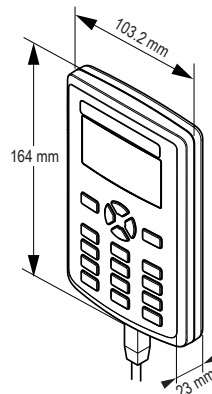
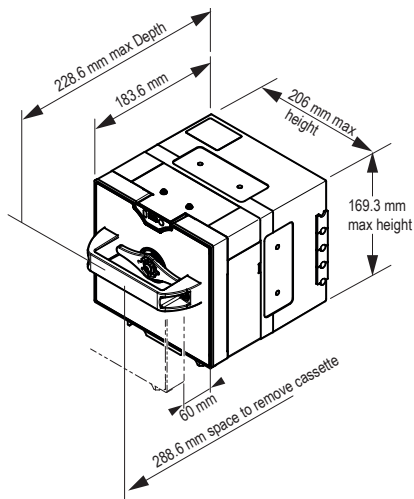
Choose between three ribbon types and a series of accessories according to your package type and needs.



World leading service to guarantee uptime and quality coded products.

\*Compared to other competitive models.

# SmartDate® X30 - Specifications



## Print features

- Print speed:
  - Continuous: 50 to 600 mm/s
  - Intermittent: 100 to 600 mm/s
- Print area:
  - Intermittent: 32 mm x 40 mm
  - Continuous: 32 mm x 50 mm
- Printer features:
  - Automatic printhead setup
  - Dead-dot detection
  - Average gap between prints: 0.5 mm
  - Automatic shift codes and serial numbers
  - Multiple variable user input fields with alpha numeric texts
- Ribbon saving mode:
  - Radial ribbon saving
  - Interlaced mode
- Print specifications: True type font support, including non-Roman characters and symbols. Printing of real-time clock, dates and auto updating best before dates, barcodes including; HanXin, QR/GS1, RSS

## Operations

- Hand held terminal interface with LCD screen for message selection, variable data entry, diagnostics and system setup
- Hot swappable/removable user interface
- Full diagnostics
- Robust LED status indicators on the printer
- Hardware interface:
  - Inputs: "Print go" and 1 configurable input
  - Outputs: Fault, warning
  - USB for downloading images, settings and data files
  - RS232, Ethernet communications standard
  - Communications protocols for PCs, PLCs and packaging machines

## Other characteristics

- Supplies:
  - Variety of thermal transfer ribbons: SmartDate Xceed, SmartDate Xtra and SmartDate Xpert
  - Ribbon widths: 22 mm and 33 mm
  - Maximum ribbon length: up to 700 m
- Printer weight:
  - Intermittent: 5.5 kg
  - Continuous: 5.0 kg
- Electrical power supply: ~ 110 – 230 Vac (+/- 10%) 50 – 60 Hz
- SmartDate X30 without power supply requires 24 VDC
- No air supply required
- Operating temperature range: 0 to 40 °C
- Humidity: 10% to 90% non-condensing

## Software

- Included, free of charge, CoLOS® Create for design of simple messages; compatible with CoLOS® Create Pro and CoLOS® Enterprise version 4 or higher

## Optional accessories

- Mounting bracket
- Encoder

Code with **CONFIDENCE<sup>sm</sup>** – Ensure excellent performance and peace of mind with our array of genuine Markem-Imaje after-sales services. Offerings include spare part kits, consumables solutions and service packages including start-up packages, extended warranty contracts, service exchange programs and all-inclusive agreements. With Markem-Imaje you redefine your production possibilities.

We reserve the right to amend the design and/or specifications of our products without notice. Please refer to the user manual for information on certification.

Markem-Imaje  
Global Sales & Marketing Division  
9, rue Gaspard Monge  
B.P. 110  
26501 Bourg-lès-Valence Cedex – France  
Tél.: +33 (0) 4 75 75 55 00  
Fax : +33 (0) 4 75 82 98 10

  
markem·imaje  
a **DOVER** company

To learn more, visit [www.markem-imaje.com](http://www.markem-imaje.com)